

**MET 1-PHASE SAFETY TRANSFORMER**

P: 500VA IN: 230VAC+/- 5% OUT: 24VAC

Single-phase safety transformer  
500 VA  
Isolation class T 60/B

[Link to Product](#)**Illustration**

Product may differ from Image

**Approvals****Input**

Input current	2.3 A (230 V AC)
Inrush current	35.45 A (230 V AC)
Short-circuit current	74.76 A (230 V AC)
Input voltage	230 V AC $\pm$ 5%
Frequency	50...60 Hz

**Output**

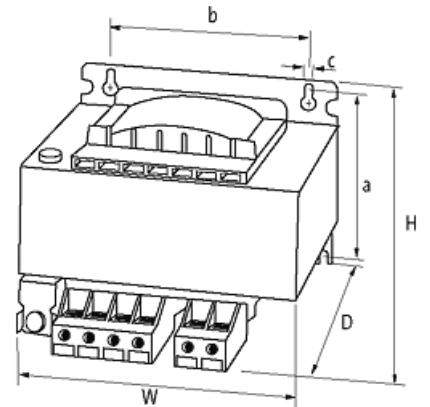
Output voltage	24 V AC (SELV)
Output rating	500 VA

**General data**

Test isolation voltage	4 kV (prim./sec.)
Standards	EN 61558-1, EN 61558-2-6, EN 62041 category 0
Mounting method	Key-hole mounting
Fixing centers a <b>x</b> b <b>x</b> c	90 <b>x</b> 122 <b>x</b> 7 mm
Drill hole $\varnothing$	7 <b>x</b> 11 mm
Dimensions H <b>x</b> W <b>x</b> D	112.6 <b>x</b> 150 <b>x</b> 146 mm
Temperature range	-20...+60 °C (storage temperature -40...+80 °C)

**Commercial data**

country of origin	CZ
customs tariff number	85043180
EAN	4048879079037
eClass	27031302
Packaging unit	1

**Sketch**

Product may differ from Image